

Grab Rails



A sturdy range of grab rails & shower accessories designed to assist convalescents, the elderly & disabled.

Grab Rails	3
Colour Guide & Surfaces	4
Straight Grab Rails	5
Toilet Rails	6
Bath & Toilet Rails.....	8
Shower Rails	9
Shower Sliders, Handset & Hoses.....	10
Toilet & Shower Layouts	11
Shower Seats	12
Custom Made Rails.....	12
Sani-Seal Grab Rails	13
Modu-Fit Grab Rails.....	13
Order Form.....	14

Specification/Ordering Notes

1. State Product: GRI Grab Rails
2. State Reference Code: eg. GRI 132
3. State tube size and gauge: 32mm or 38mm- 18ga (16ga or 20ga)
4. State finish/colour: Satin stainless steel/Polished stainless steel, powder coated
5. State quantity of each

GRI Products reserves the right to, and does from time to time, make changes and improvements in design and dimensions. The photographs and line drawings of the products in this catalogue are representational only.

Manufacture and supply a comprehensive range of high quality grab rails specially designed to provide support and assistance for convalescents, the elderly and the disabled. The stainless steel satin polished grab rails are also available in a range of extremely attractive colours, both pastel and contemporary. The excellent product range goes beyond grab rails to include bath rails, shower rails, shower slides, shower seats and shower curtain rods.

The GRI grab rails are supplied with satin stainless steel and polished finishes. Strong emphasis has been placed on the colours selected for the GRI range. Knowing the importance colour plays in our everyday lives, the company offers a wide choice of colours designed to enhance and brighten the surroundings of those needing it most.

The Grab Rail range helps provide safety and convenience and is suitable for installation in the home, hospitals, nursing homes, institutional, commercial and all public buildings.

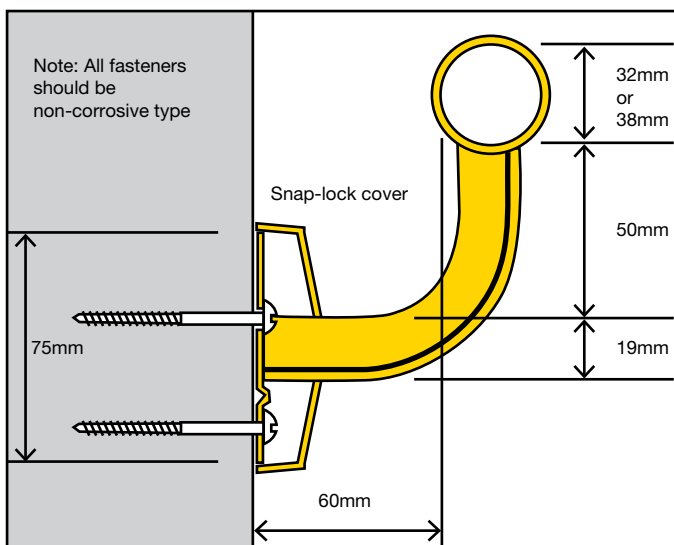
Grab Rails

Choose from the wide variety of stainless steel grab rails with either satin, polished or knurled safety grip finish.

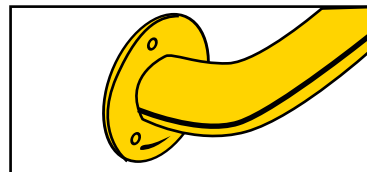
The standard range of grab rails is available in a choice of tube sizes – 32 mm or 38mm outside diameter in 18 gauge tube wall thickness (16 and 20 gauge are also available).

There is a choice of fixing flange types – concealed screw or exposed screw.

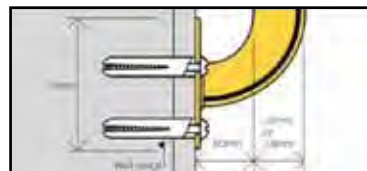
While Grab Rail Industries' standard range will provide an effective solution for most needs, the company also offers a special service producing custom made grab rails to specification.



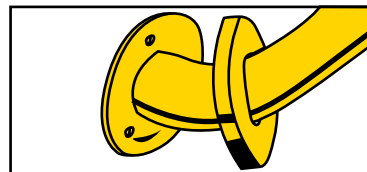
Standard horizontal wall bracket



Grab Rail with exposed screwing



Fixing to brickwork, blockwork or concrete



Grab Rail with concealed screw cap


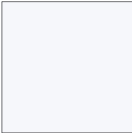












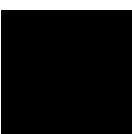


Fixing to timber

Colour Guide & Surfaces

All Grab Rail Industries products are available in a full range of distinctive, decorative, hard wearing, polyester powdercoated finish. This industrial finish has set new standards for durability.

Unless otherwise denoted, colours shown are Full Gloss. Exceptions are *Satin and **Matt finish. More colours available on request.

	Rivergum Beige 36991		Pearl White 81880		Yellow Gold Y14 33617
	Primrose 34365		Oyster 36858		Orange X15 51439
	Magnolia 32658		APO Grey 32786		Signal Red R13 50735
	Tuscan Gold 84207		Periwinkle 50276		Blaze Blue 19941
	Clay Pot 72165		Azure Grey 36603		Black Gloss 32694 Black Satin* 19268 Black Matt** 19319



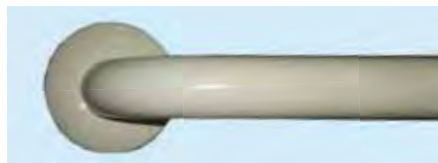
Satin Stainless Steel



Knurled Finish



Chrome/Polished Finish



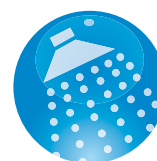
Powdercoated finish



Product Guide Legend

Throughout this catalogue, these icons identify the type of application commonly used with our products.

Please note this is intended as a guide only and you may want to use them for applications other than those recommended.



Shower



Watercloset



Bath

GRI 100 - GRI 126

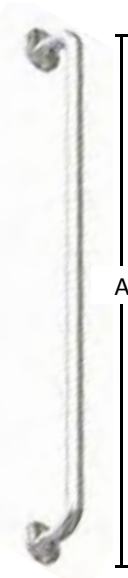


Straight grab rails have a universal application and can be installed horizontally, vertically or to any angle required.

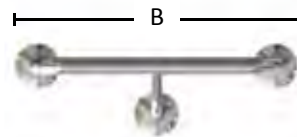
GRI 100 - GRI 112 complies with Australian Standard AS1428.1-2001.

Suggested Locations: On walls adjacent to baths and wc's, in showers, at the head of flights of stairs and steps.

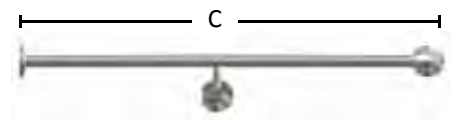
Code	A
GRI 100	300mm
GRI 101	400mm
GRI 102	450mm
GRI 103	500mm
GRI 104	600mm
GRI 105	700mm
GRI 106	750mm
GRI 107	800mm
GRI 108	900mm
GRI 109	1000mm
GRI 110	1200mm
GRI 111	1300mm
GRI 112	1400mm



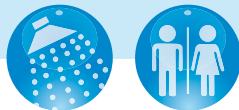
Code	B
GRI 113	900mm
GRI 114	1000mm
GRI 115	1200mm
GRI 116	1300mm
GRI 117	1400mm
GRI 118	1500mm
GRI 119	1800mm
GRI 120	2100mm
GRI 121	2400mm



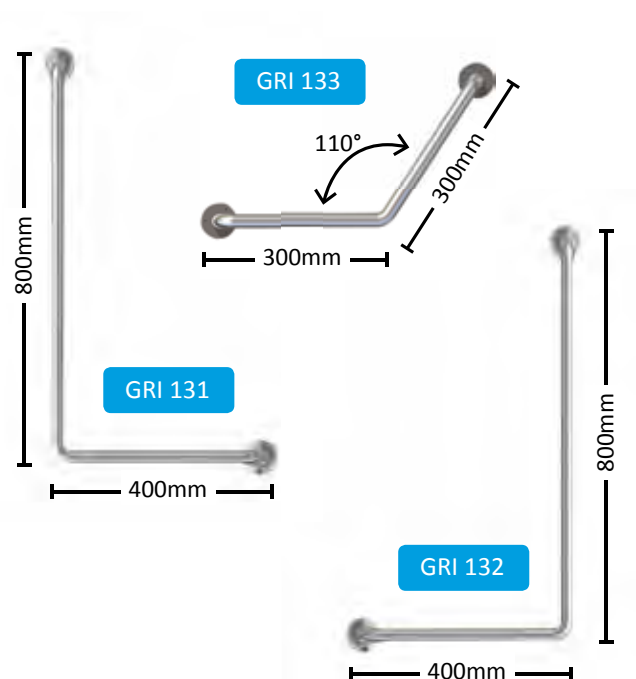
Code	C
GRI 122	900mm
GRI 123	1000mm
GRI 124	1200mm
GRI 125	1300mm
GRI 126	1500mm



GRI 131 - GRI 133



Suggested Locations: All purpose rails for walls alongside wc's, adjacent to shower seats, etc.



GRI 184 GRAB RAIL/TOWEL RAIL COMBINATION

304 Satin Stainless Steel. Grab Rail Diameter 32mm, Towel Rail Diameter 25mm. Concealed Mount Fixing

Overall Width: 675mm

Overall Depth: 145mm

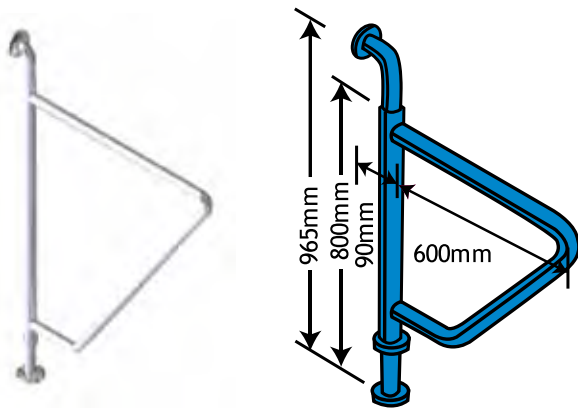


Grab Rails

GRI 154 SWING-AWAY RAIL



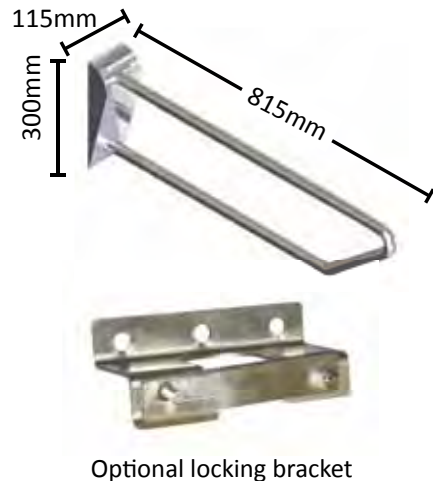
When not needed, this rail swings aside to increase space. Locks firmly in position when in use. Supplied in 32mm dia tube.
Suggested Locations: Ideal for installation along WC's.



GRI 155 FOLD-DOWN RAIL



This grab rail folds up against the wall when not in use. It is therefore ideal for situations where clear space is limited. Available with nurse call button and/or toilet roll holder. 'Safelock' also available. *Suggested Locations: Alongside wc's and baths.*



GRI 157 SAFELOCK RAIL



This safelock rail is light whilst maintaining its strength through smart engineering and design. A 'push' 'pull' button feature this means that it is user friendly and universal, being neither right or left handed.

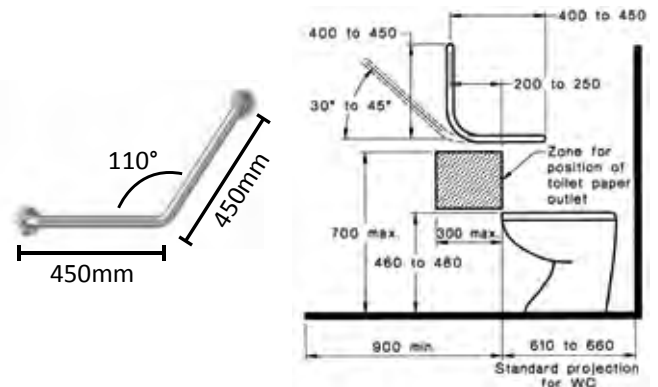


GRI 157

GRI 147 AMBULANT RAIL



GRI 147 complies with Australian Standard AS1428.1-2001 for ambulant disabilities.



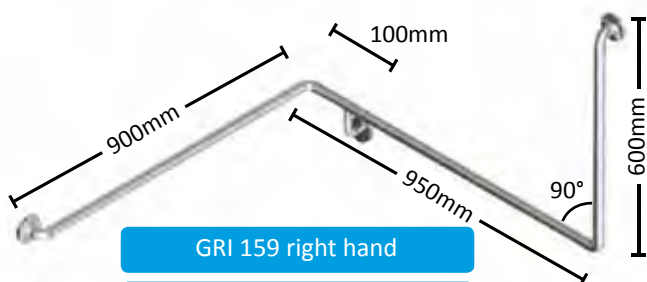
GRI159 - GRI172



This range of standard grab rails are multifunctional and provide an effective solution to most needs. Grab rails GRI 159, 161, 165, 167, 169 and 171 shown are right-handed.

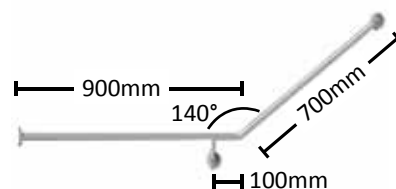
They are also available left-handed.

Complies with Australian Standard AS1428.1-2001.



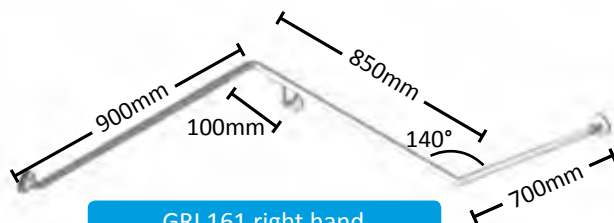
GRI 159 right hand

GRI 160 left hand available



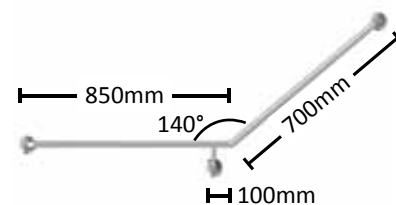
GRI 165 right hand

GRI 166 left hand available



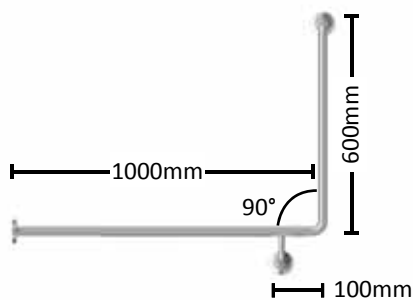
GRI 161 right hand

GRI 162 left hand available



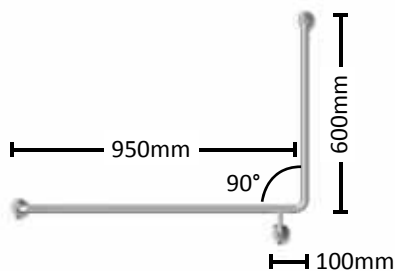
GRI 169 right hand

GRI 170 left hand available



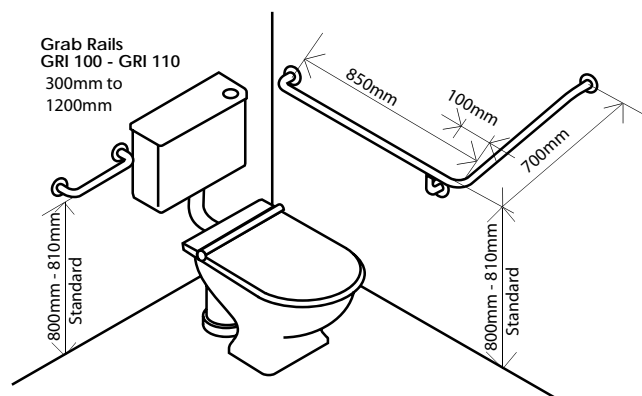
GRI 167 right hand

GRI 168 left hand available



GRI 171 right hand

GRI 172 left hand available



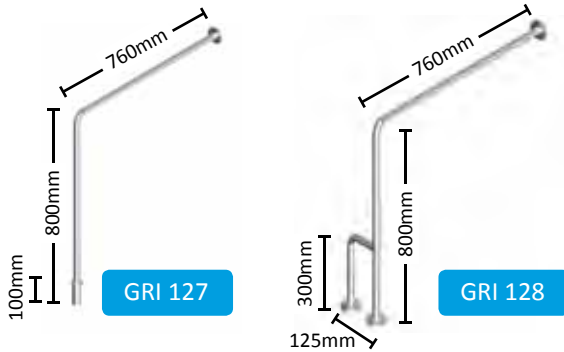
Grab Rail GRI 169 shown
Grab Rail GRI 170 Left Handed

Grab Rails

GRI 127 - GRI 128



Suggested Locations: Alongside baths, wc's and washbasins.
 GRI 128 has a rotating support arm.



GRI 129 - GRI 130



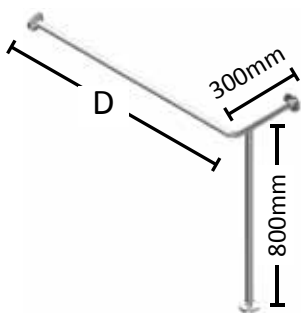
Suggested Locations: On walls above the bath's rim or in showers.
 Right hand: GRI 129, Left hand: GRI 130



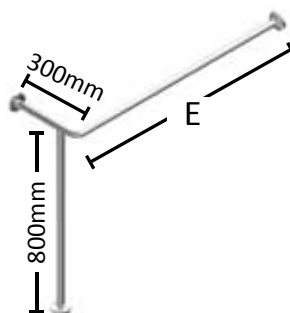
GRI 134 - GRI 143



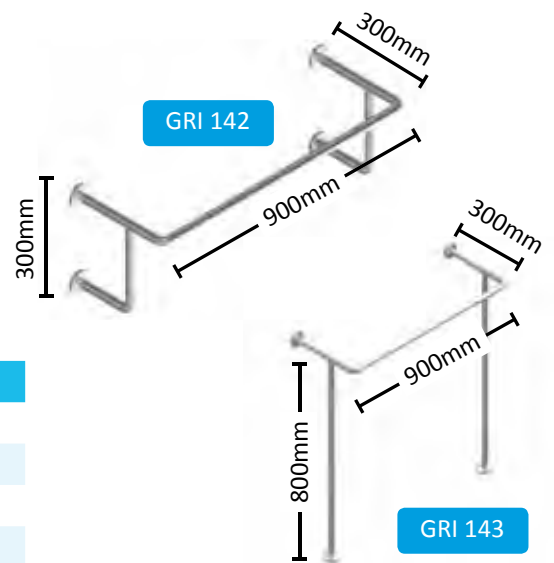
Suggested Locations: These grab rails are designed for installation spanning the tap end of the bath.
 Grab rails GRI 134 - GRI 141 for baths installed against a wall. Grab Rails GRI 141 and GRI 143 for baths which are accessible from both sides.



Code	D
GRI 134	900mm
GRI 136	1000mm
GRI 138	1100mm
GRI 140	1200mm

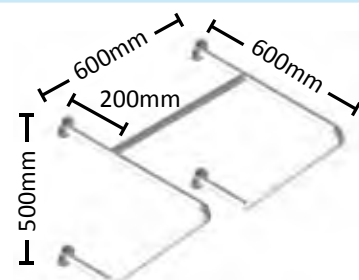


Code	E
GRI 135	900mm
GRI 137	1000mm
GRI 139	1100mm
GRI 141	1200mm



GRI 158

This standard grab rail is multi-functional and provides an effective solution to most needs.

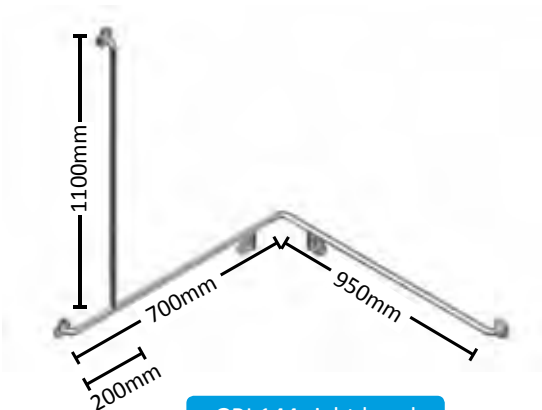


GRI 144 - GRI 153

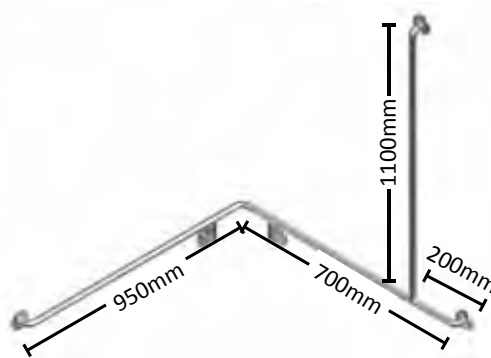


GRI 144, 145, 146, 152 and GRI 153 complies with Australian Standard AS1428.1-2001.

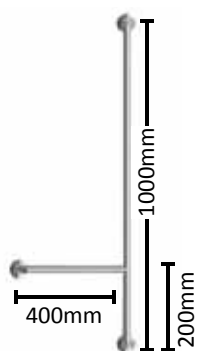
Suggested Locations: Ideal for mounting in shower areas.



GRI 144 right hand

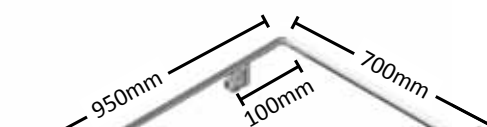


GRI 145 left hand



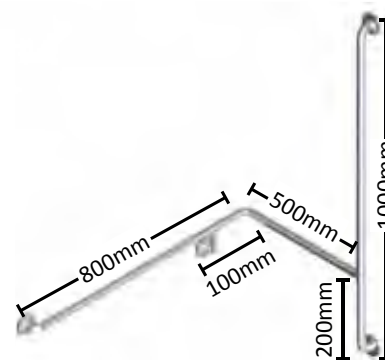
GRI 148 right hand

GRI 149 left hand available



GRI 152 right hand

GRI 153 left hand available



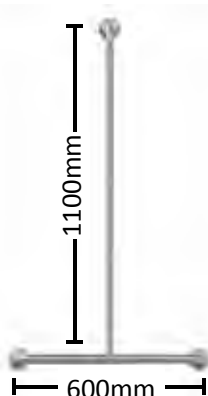
GRI 150 right hand

GRI 151 left hand available

GRI 146



Suggested Locations: ideal for mounting in shower areas



GRI 178 & GRI 179



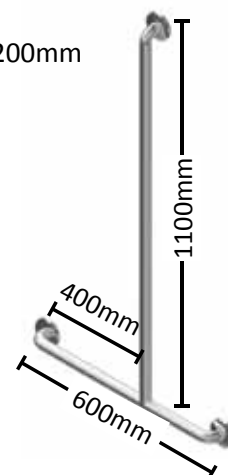
Complies with Australian Standard AS1428.1-2001.

A T-shaped rail with the vertical 200mm rail from the end of the 600mm horizontal rail.

Suggested Locations: Ideal for mounting in shower areas.

GRI 178 right hand

GRI 179 left hand available



Shower Sliders/Handset & Hoses

Choose your Handset Kit & Slider

This conversion allows you to turn your existing safety grab rail into a rail shower without removing the rail from the wall. It includes a high pressure hose, elbow & a 32mm slider. GRI 198 Set includes a 900mm straight grab rail, a GRI PS3 and a GRI PH3.

Complies with Australian Standard AS1428.1-2001

GRI 924 SHAMPOO SHELF



Plastic shampoo shelf to fit 32 Dia grab Rails.

Size: 270mmW x 20mmH x 11mmD



GRI RS3 SLIDER



Design co-ordinated with the grab rail range, the shower rose slide is the support answer to hand-held showers. Attached to the grab rail at manufacture, the slide can be positioned to accommodate all height requirements and will turn through 360°.

When specifying quote GRI RS3 shower support bracket plus Grab Rail.

A health care flexible shower hose, 1.7m or 2.1m long, with shower handpiece are also available.



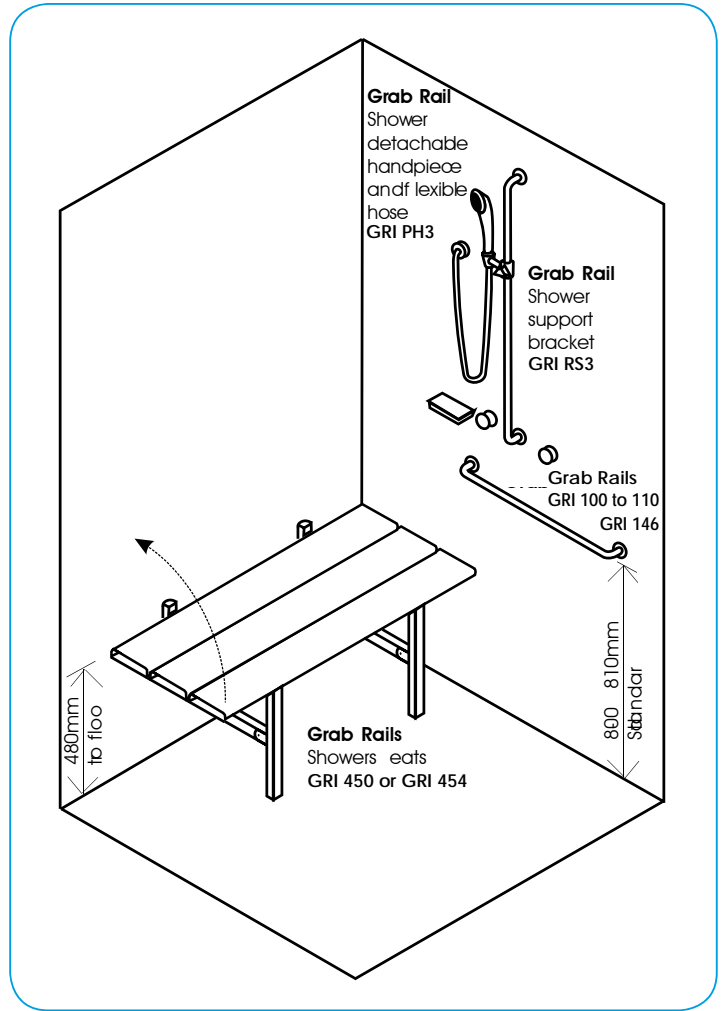
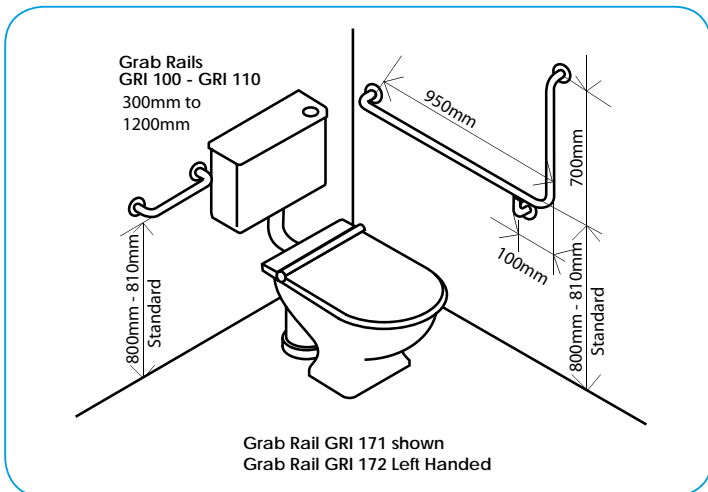
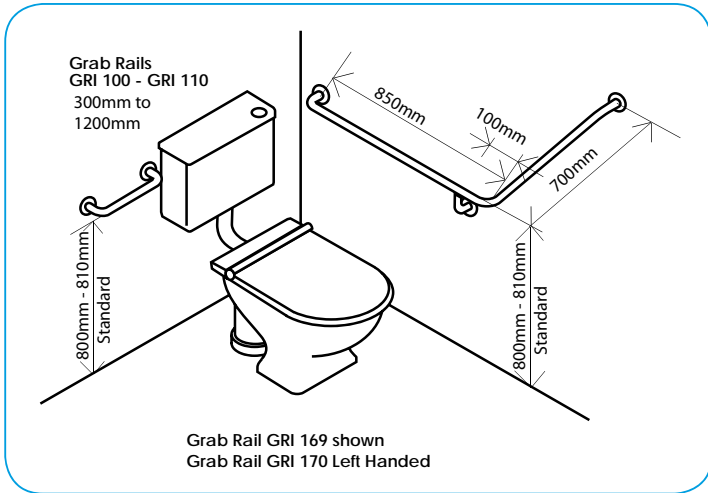
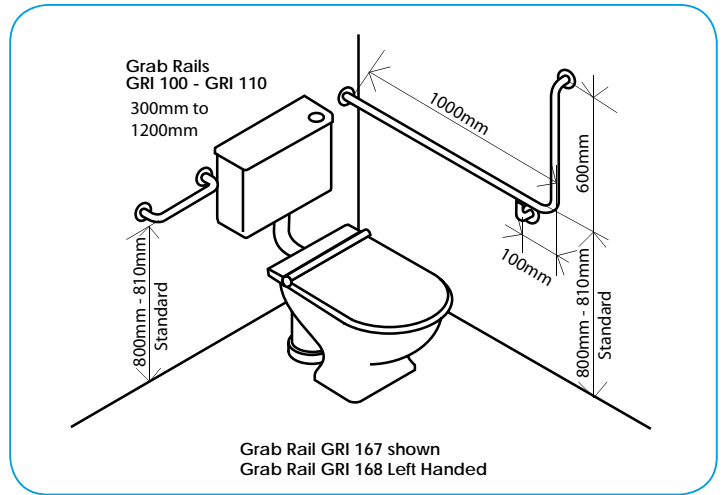
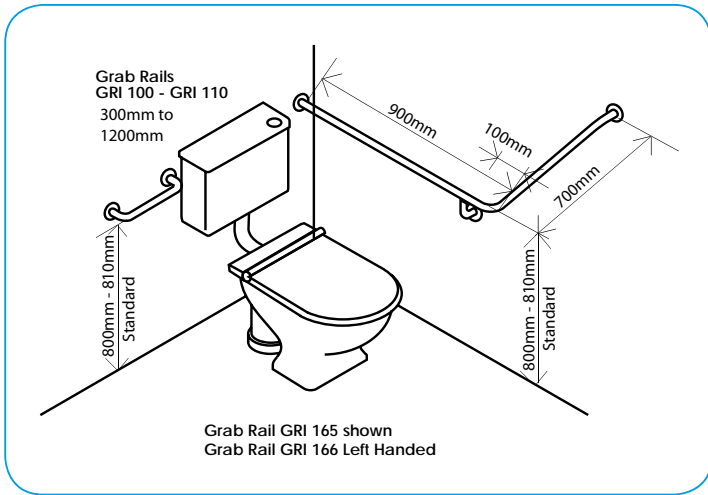
GRI PH3 PARA HEALTH HANDSET & HOSE



GRI PS3 PARA FIT SLIDER



Examples of Australian Standard Toilet/Shower Layouts



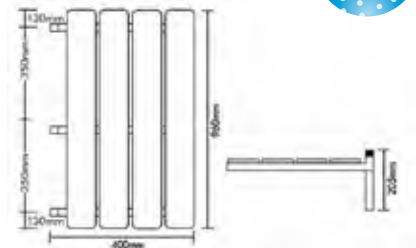
Shower Seats

GRI 450 FOLD AWAY DISABLED SHOWER SEAT

Complies with Australian Standard AS1428.1-2001.

Dimensions: 960mmW x 400mmD

Brackets: 25mm x 25mm sq S/S section. Aluminium 8mm solid slatted top. Powdercoated white.

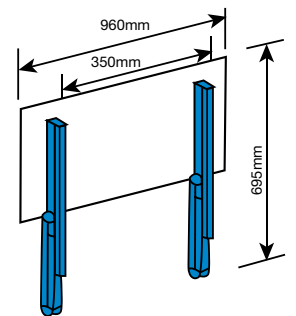
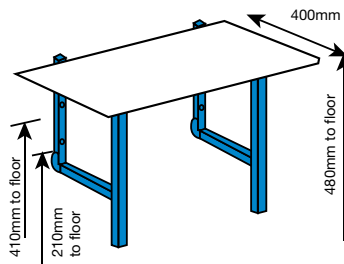


GRI 454 SHOWER SEATS

Complies with Australian Standard AS1428.1-2001.

White acrylic seat with stainless steel frame. Also available with white slatted, stainless steel seat.

Dimensions: 960mmW x 400mmD



For full range of shower seats, please refer to Washroom Brochure

Custom Made Rails

At GRI we have the resources to meet all your grab rail requirements whether they be simple or complex. We manufacture custom grab rails to suit any application or to fit into any location.

We also specialise in security & mental health in-fill grab rails.

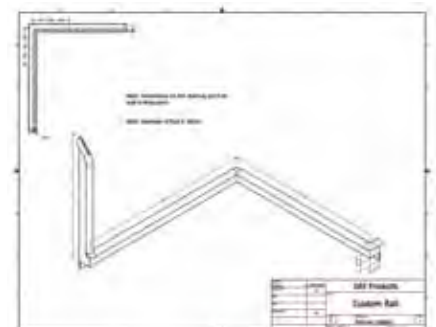
Call us today, we can assist you with the supply of these products.



Example of in-fill grab rail for security & mental health facilities



Example of completed custom made rail



Drawing of custom rail

SANI-SEAL SYSTEM

An innovative flange and cover system engineered to provide full structural strength, with simple fixing method and a hygienically mounted installation.

Provides for easily cleaned crevice-free conditions that inhibit bacterial build up.

Features of this system; cast alloy, heavy duty flange, quick and easy to install, 1/4 turn flange cover installation, chrome plated cover and silicone 'O' ring seals.

Benefits of this system; fully compliant to AS 1428.1-2001, low maintenance, effectively sealed to inhibit bacteria and cost effective.



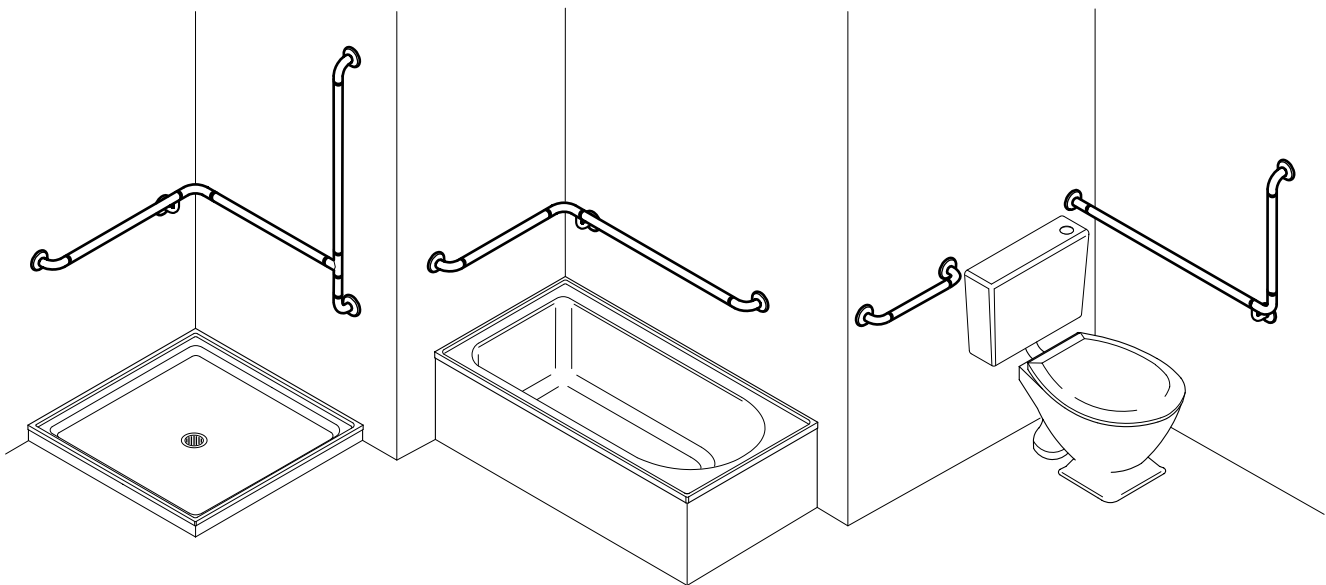
MODU-FIT GRAB RAIL SYSTEM

The strength and durability of stainless steel, with the convenience of easy on-site assembly.

Available; in standard 'satin finish' or, powdercoated 'white' or 'almond ivory'

To install in compliance with Australian Standards AS 1428.1-2001: apply construction adhesive to inside of tube at final assembly - and fasten;

- a minimum distance of 800mm from floor.
- with 600mm of clear space above rail.
- to withstand a force of 1100N at any point from any direction.



Our complete range of products:



Contact us for a copy of these brochures



PO Box 557, 50 Robinson Street, Goulburn NSW 2580 • PO Box 5107, 9A Pembury Road, Minto DC NSW 2566
Phone 1300 138 625 • Fax (02)4824 1020 • Email sales@griproducts.com.au