

Commercial Hardware



A dynamic range of commercial hardware

Contents

Handles.....	3
Hinges.....	5
Locks & Indicators	8
Bumpers	12
Staples	14
Hooks.....	15
Door Stops.....	17
Bolts.....	18
Adjustable Legs & Foot Assemblies	19
Miscellaneous.....	20
Order Form.....	22

At GRI Products we strive for excellence, and in doing this, we have established an excellent range of hardware items which conform to the latest in architecture. Through years of experience, our products have been tailored to deliver beyond our customers' expectations and provide solutions for every commercial hardware need.

GRI Products reserves the right to, and does from time to time, make changes and improvements in design and dimensions. The photographs and line drawings of the products in this catalogue are representational only.

GRI 713/GRI 714/GRI 715/GRI 717 SOLID PULL HANDLE

GRI 713: 12mm x 152mm
GRI 714: 12mm x 202mm
GRI 715: 16mm x 152mm
GRI 717: 16mm x 202mm
Finish: Stainless steel



GRI 785 STAINLESS STEEL PUSH PLATE

Size: 300mm x 75mm x 2mm
Finish: Stainless steel
 Kick Plates also Available

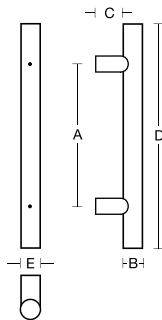


GRI 786 STAINLESS STEEL PULL PLATE

Size: 300mm x 75mm x 2mm
 C/W 150mm x 16mm
 Solid Fixed Handle
Finish: Stainless steel

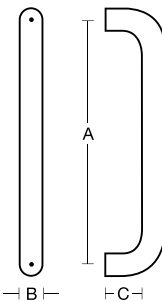


GRI 799 - GRI 805



Code	A	B	C	D	E
GRI 799	230	32	45	450	25
GRI 800	350	32	45	600	25
GRI 801	400	32	45	750	25
GRI 802	600	32	45	1000	25
GRI 803	800	32	45	1250	25
GRI 804	1000	32	45	1500	25
GRI 805	1500	32	45	2000	25

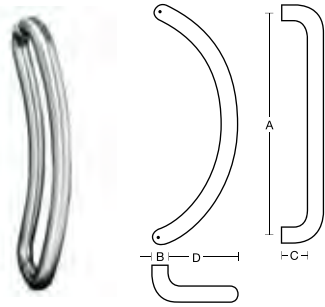
GRI 806 - GRI 814



Code	A	B	C	D
GRI 806	200	25	-	50
GRI 807	300	25	32	50
GRI 809	350	-	32	50
GRI 810	450	-	32	50
GRI 811	500	-	32	50
GRI 812	600	-	32	50
GRI 813	700	-	32	50
GRI 814	900	-	32	50

Handles

GRI 815 - GRI 816



Code	A	B	C	D
GRI 815	450	32	50	38
GRI 816	600	32	50	75

GRI 817 - GRI 820



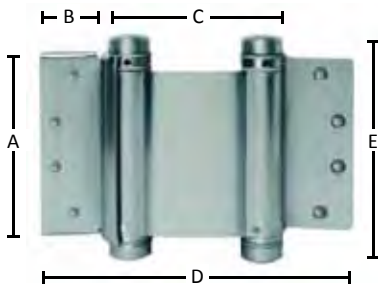
Code	A	B	C	D
GRI 817	300	32	50	140
GRI 818	350	32	50	140
GRI 819	450	32	50	140
GRI 820	600	32	50	140

GRI 821



Code	A	B	C	D
GRI 821	300	32	50	240

GRI 783 - GRI 784 DOUBLE ACTING SPRING HINGE



Finish: Satin Chrome Plate

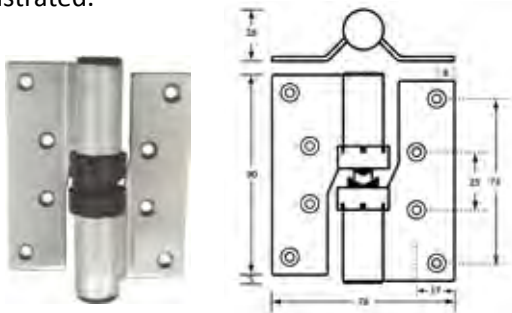
Code	A	B	C	D	E
GRI 783	100	32	93	170	120
GRI 784	125	32	100	180	150

GRI 844 GRAVITY HINGE STAINLESS STEEL

Screw Fix.

Material: Stainless steel, nylon Inserts

Right hand or left hand. Hold open or closed. Right hand illustrated.



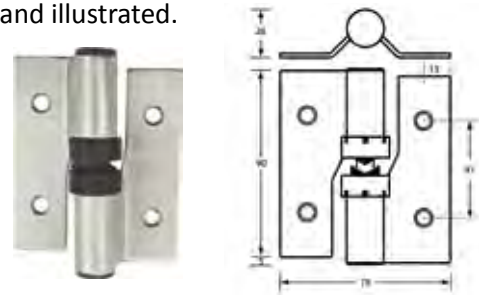
GRI 844-B GRAVITY HINGE STAINLESS STEEL

Bolt Through

Material: Stainless Steel with Nylon Inserts

Finish: Satin stainless steel

Right hand or left hand. Hold open or closed. Right hand illustrated.



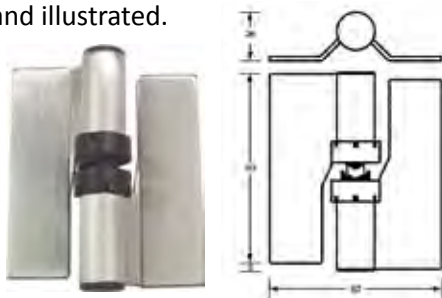
GRI 844-C CONCEALED FIX GRAVITY HINGE STAINLESS STEEL

Concealed Screw Fix

Material: Stainless Steel with Nylon Inserts

Finish: Satin stainless steel

Right hand or left hand. Hold open or closed. Right hand illustrated.



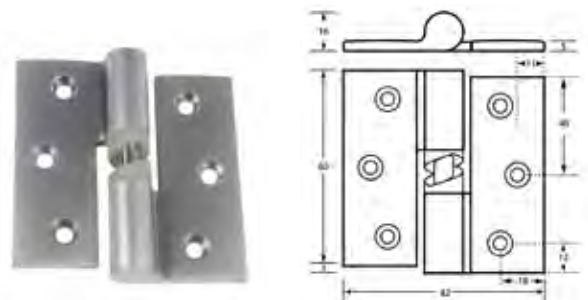
GRI 845 GRAVITY HINGE DIECAST

Screw Fix.

Material: Diecast Zinc, Stainless Steel, Nylon Inserts

Finish: Satin Chrome. . Alternate bright chrome

Specify right hand or left hand. Hold open or closed.



Hinges

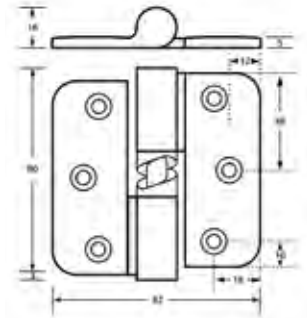
GRI 845-C-NC GRAVITY HINGE DIECAST

Screw Fix or Bolt Through

Material: Diecast Zinc, Stainless Steel Shaft, Nylon Inserts.

Finish: Satin Chrome. Alternate Bright Chrome or Brushed Nickel-Stainless Steel look.

Right hand or left hand. Hold open or closed.
Left hand shown

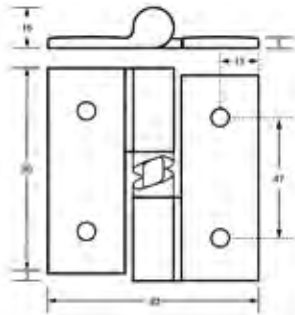


GRI 845-B DIECAST GRAVITY HINGE

Material: Diecast Zinc, SS shaft, Nylon inserts

Finish: Satin Chrome

Specify right hand or left hand. Hold open or closed.
Right hand illustrated.

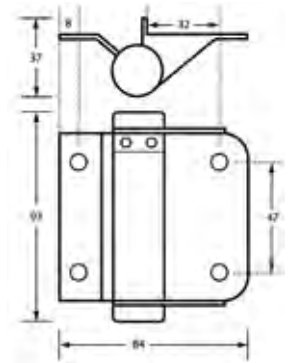


GRI 850 SPRING HINGE

Material: Brass

Finish: Satin Chrome

Hold open or closed.



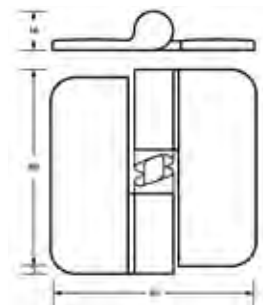
GRI 845-C CONCEALED FIX GRAVITY HINGE DIECAST

Concealed Screw Fix or Bolt Through

Material: Diecast Zinc, SS shaft, Nylon Inserts, ABS non-removable snap-on covers

Finish: Satin Chrome, alternate Bright Chrome or Brushed Nickel - S.S look

Right hand or left hand. Hold open or closed. Left hand shown.
For Bolt through use concealed fix face plates.



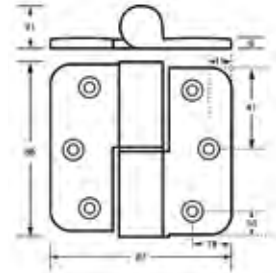
GRI 867 LIFT OFF SPRING HINGE

Screw Fix or Bolt Through

Material: Diecast Zinc, Brass Shaft, Nylon Inserts

Finish: Satin Chrome

Right hand or left hand. Hold open or closed.
Right Hand Shown.



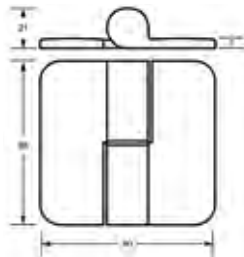
GRI 867-C CONCEALED FIX LIFT OFF SPRING HINGE

Screw Fix or Bolt Through

Material: Diecast Zinc, Brass Shaft, Nylon Inserts, ABS snap on covers

Finish: Satin Chrome

Right hand or left hand. Hold open or closed. Right hand shown.



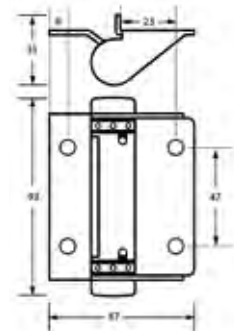
GRI 852 SPRING HINGE

Screw Fix or Bolt Through

Material: Stainless Steel

Finish: Satin Stainless Steel

Hold open or hold closed.



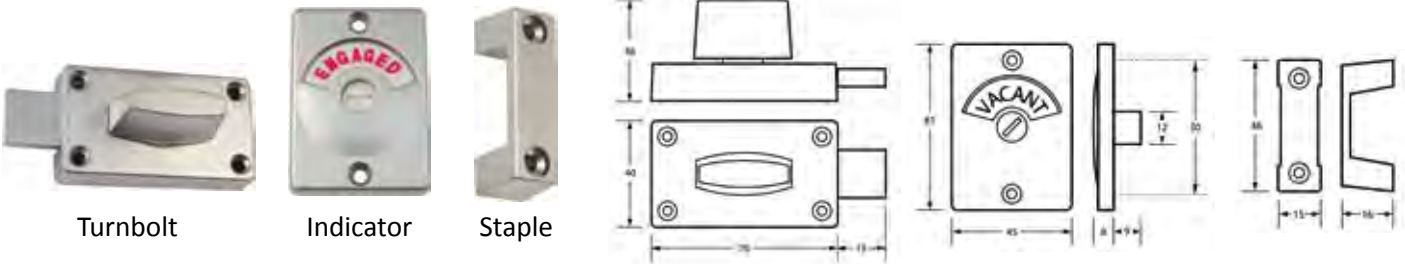
Locks & Indicators

GRI 702 INDICATOR SETS

Turnbolt Material: Diecast Zinc **Finish:** Satin Chrome, screw fix.

Indicator Material: Diecast Zinc **Finish:** Satin Chrome, alternate bright chrome, screw fix

Staple Material: Diecast Zinc **Finish:** Satin Chrome, , alternate bright chrome, screw fix



GRI 702A INDICATOR SETS

Screw fix.

Turnbolt Material: Diecast Zinc

Finish: Satin Chrome, alternate bright chrome.

Supplied with indicator and staple of the GRI 702 series.



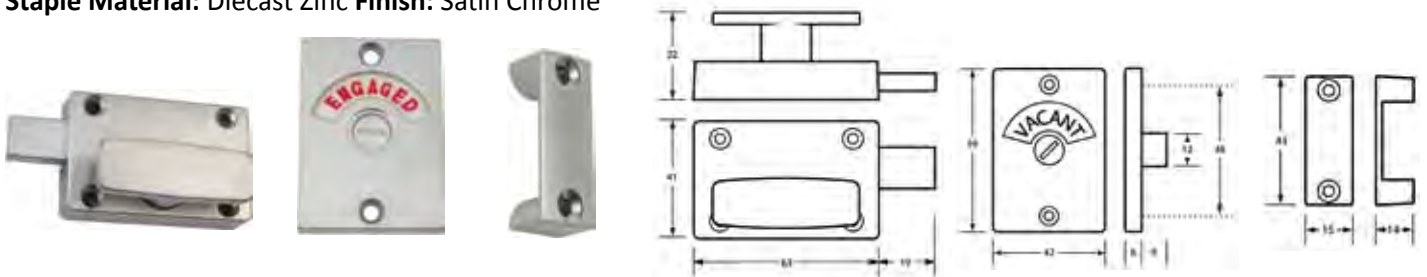
GRI 703 INDICATOR SETS

Screw fix.

Turnbolt Material: Diecast Zinc **Finish:** Satin Chrome

Indicator Material: Diecast Zinc **Finish:** Satin Chrome

Staple Material: Diecast Zinc **Finish:** Satin Chrome



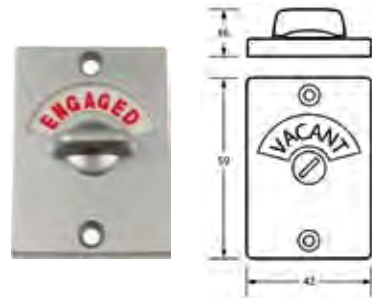
GRI 704 SAFETY HANDLE

Screw fix. Same as GRI 703 but with safety handle.

Material: Diecast Zinc

Finish: Satin Chrome

Supplied with GRI 703 turnbolt and Staple.

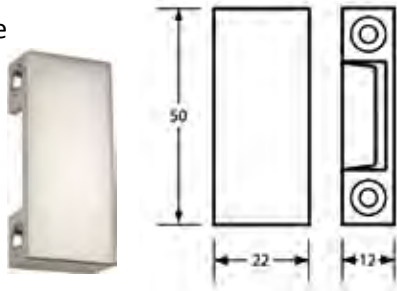


GRI 705 STAPLE

Concealed Screw Fix. Surface Mounted

Material: Diecast Zinc

Finish: Satin Chrome



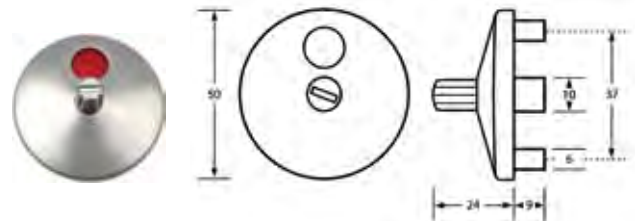
GRI 706 SAFETY TURN INDICATOR

Concealed Screw Fix Indicator with Safety Turn Release.

Material: Brass

Finish: Satin Chrome

Supplied with GRI 721 Turnbolt and Staple



SET GRI 711 CONCEALED FIXING SYSTEM MORTICED INDICATOR



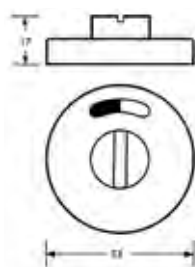
Thumb Turn

Finish: Satin stainless steel.
Concealed Screw Fix,
Surface Mounted

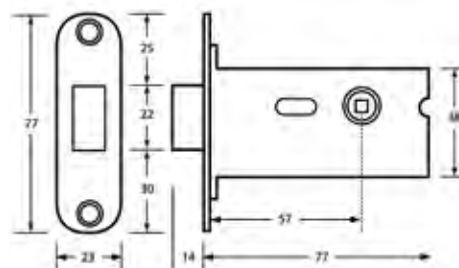


Indicator

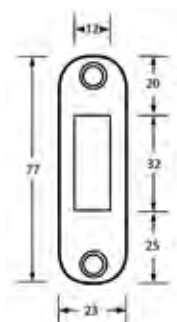
Finish: Satin stainless steel.
Concealed Screw Fix,
Surface Mounted



Morticed Latch & Face Plate
Finish: Satin stainless steel
face plate, Powdercoat
body, solid brass latch.
Screw Fix, Morticed



Mortice Keep
Finish: Satin stainless
steel



Locks & Indicators

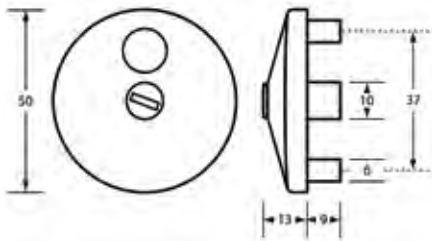
SET GRI 721 CONCEALED FIX SURFACE MOUNTED INDICATOR



Indicator

Material: Brass

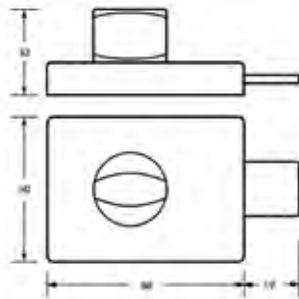
Finish: Satin Chrome, alternate bright chrome or brushed nickel - s.s look
Concealed Screw Fix, surface mounted



Turnbolt

Material: Diecast Zinc

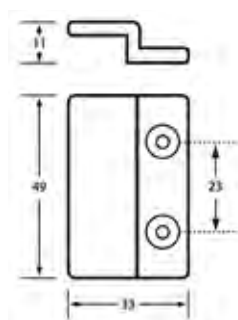
Finish: Satin Chrome, alternate bright chrome or brushed nickel - S.S look
Concealed Screw Fix, Surface Mounted



Lift Off Staple

Material: Diecast zinc, ABS snap on cover

Finish: Satin Chrome, alternate brushed nickel -S.S look
Concealed screw fix



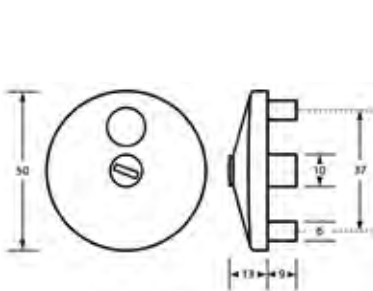
SET GRI 722 CONCEALED FIX MORTICED INDICATOR



Indicator

Material: Brass

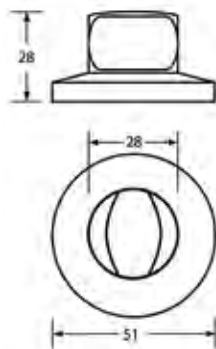
Finish: Satin Chrome
Concealed screw fix, surface mounted.



Turnbolt

Material: Diecast zinc

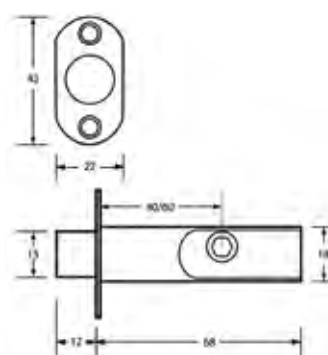
Finish: Satin Chrome
Concealed screw fix, surface mounted



Morticed Latch

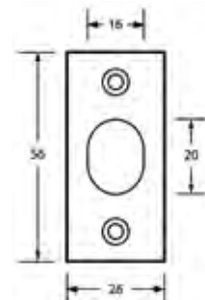
Material: Diecast zinc

Finish: Satin chrome
Screw Fix, Morticed
40mm and 60mm backset available



Mortice Keep

Material: Brass
Finish: Satin Chrome
Screw Fix, Morticed



GRI 723 PIN & THUMBTURN



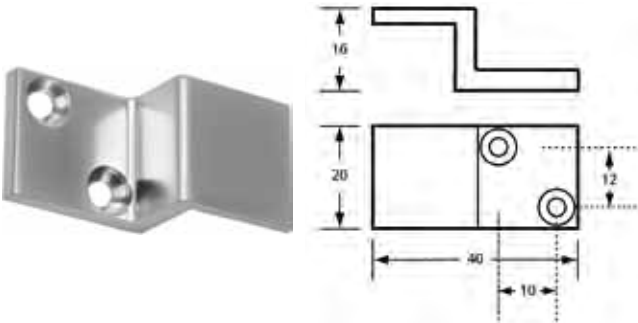
Pin & Thumbturn
Supplied with GRI 711 indicator, latch and keep



Offset Pin & Thumbturn
Supplied with GRI 711 indicator, latch and keep LH/RH universal mount

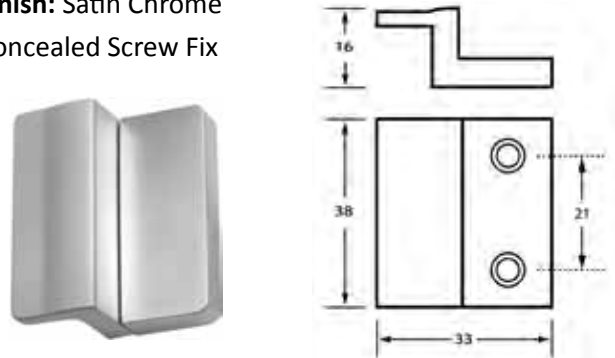
GRI 864 Z LIFT OFF STAPLE

Material: Brass
Finish: Satin Chrome
Screw Fix



GRI 864-C Z CONCEALED FIX LIFT OFF STAPLE

Material: Diecast Zinc, ABS Snap On Cover
Finish: Satin Chrome
Concealed Screw Fix

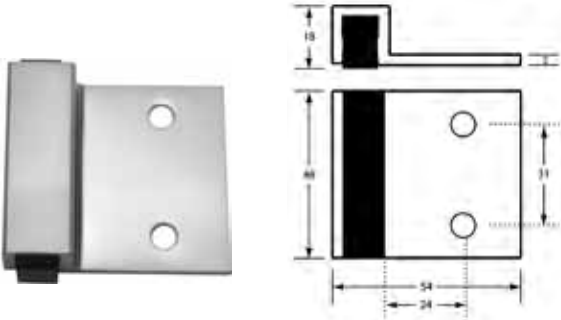


Bumpers

GRI 843 BUMPER

Material: Brass

Finish: Satin Chrome, alternate bright chrome
Screw Fix

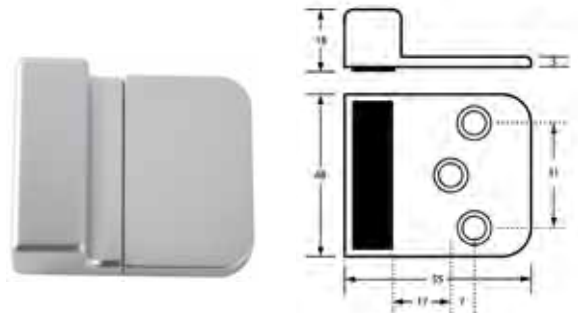


GRI 843-C CONCEALED FIX BUMPER

Material: Diecast Zinc, Rubber Insert, ABS Snap on Cover

Finish: Satin Chrome, alternate bright chrome or brushed nickel - S.S look

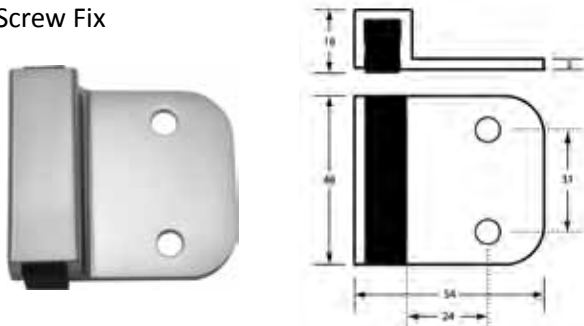
Concealed Screw Fix or Bolt Through
For Bolt Through use Concealed Fix Face Plate



GRI 843-R BUMPER

Material: Brass, Rubber Insert

Finish: Satin Chrome
Screw Fix

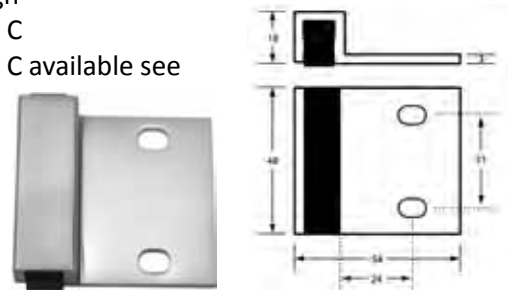


GRI 846 BUMPER

Material: Brass, rubber insert

Finish: Satin Chrome, alternate bright chrome

Bolt through
31mm C to C
35mm C to C available see
GRI 846-E

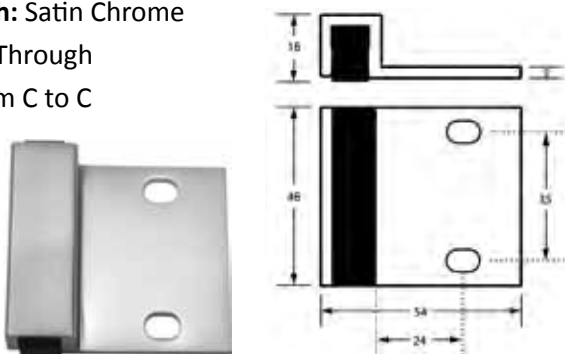


GRI 846-E BUMPER

Material: Brass, Rubber Insert

Finish: Satin Chrome

Bolt Through
35mm C to C



GRI 863 EDGE MOUNTED BUMPER

Material: Stainless Steel, Rubber Insert

Finish: Satin Stainless Steel

Screw Fix

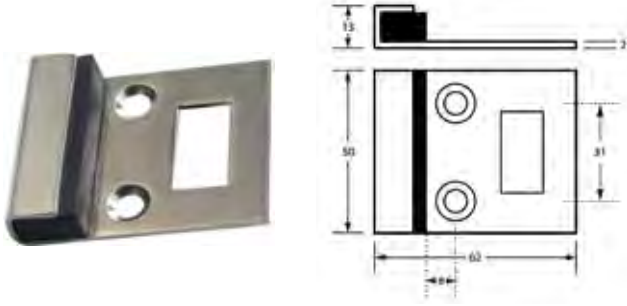


GRI 865 COMBINED BUMPER STAPLE

Material: Stainless Steel, Rubber Insert

Finish: Satin Stainless Steel

Screw Fix. Suits 18mm door

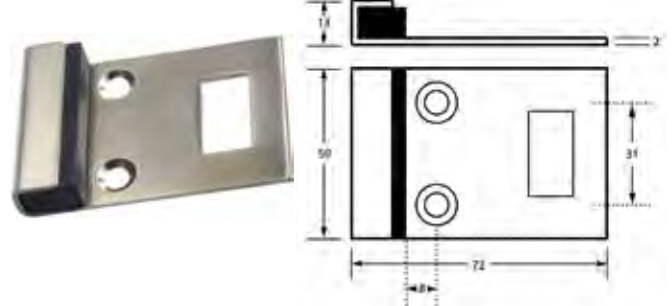


GRI 866 COMBINED BUMPER STAPLE

Material: Stainless Steel, Rubber Insert

Finish: Satin Stainless Steel

Screw Fix. Suits 33mm door



Staples

GRI 845-B STAPLE

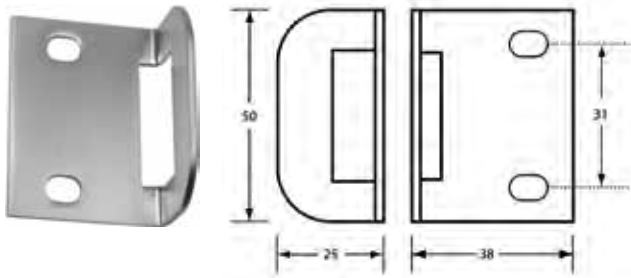
Material: Brass

Finish: Satin Chrome, alternate bright chrome

Bolt Through

31mm C to C.

35mm C to C available see GRI 845-B-E



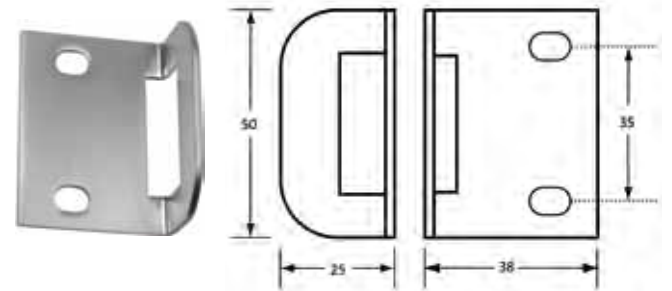
GRI 845-B-E STAPLE

Material: Brass

Finish: Satin Chrome

Bolt Through

35mm C to C



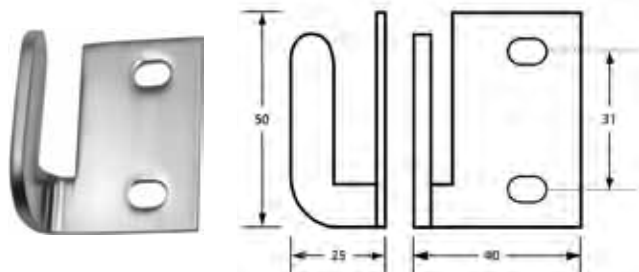
GRI 847 RIGHT LIFT OFF STAPLE

Material: Brass

Finish: Satin Chrome

Bolt Through

Use with Left Hand Gravity Hinge



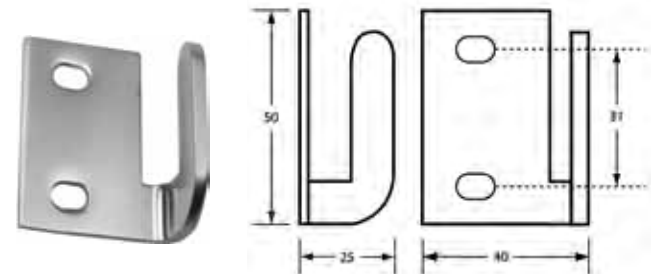
GRI 848 LEFT LIFT OFF STAPLE

Material: Brass

Finish: Satin Chrome

Bolt Through

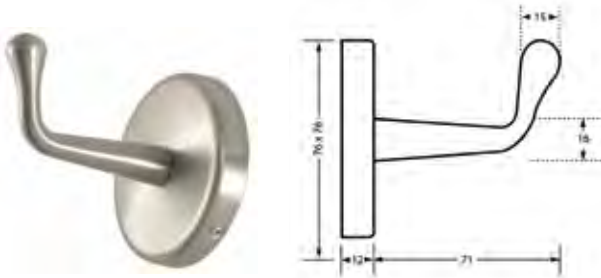
Use with Right Hand Gravity Hinge



GRI 570 CONCEALED FIX HD COAT HOOK

Stainless Steel. Concealed mounting. Satin or bright finish.

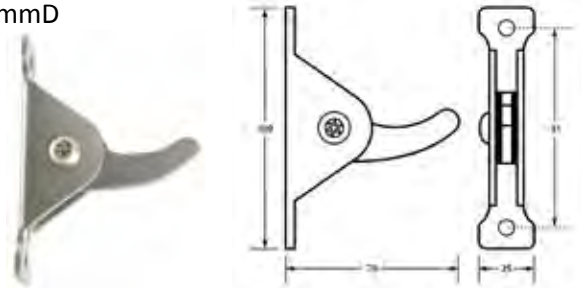
Size: 80mm dia x 90mmD



GRI 571 COLLAPSIBLE COAT HOOK

Bracket is fabricated of type 304 #11 gauge stainless steel. Hook is fabricated of type 304 #7 gauge stainless steel. Friction washers and tamer resistant spanner screw. Adjust the amount of the tension required for hook to collapse.

Size: 25mmW x 110mmH x 76mmD



GRI 572 CONCEALED FIX COLLAPSIBLE COAT HOOK

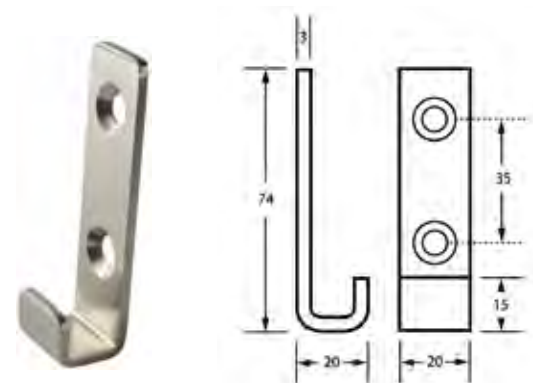
Fabricated of 12 gauge S.S type 304 with a #4 satin finish. Back plate is 14 gauge S.S. If hook is excessively loaded, it will snap down for safety. Unit has four studs welded on back for rear mounting.

Size: 108mmW x 108mmH x 54mmD



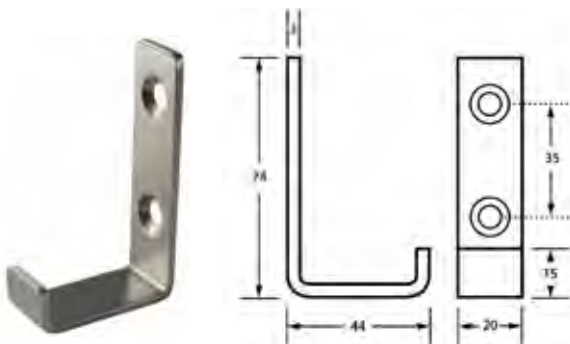
GRI 610 COAT HOOK

Grade 304 S.S, 3mm thick



GRI 611 COAT HOOK

Grade 304 S.S, 3mm thick



GRI 612 COAT HOOK

Grade 304 S.S, 3mm thick



Hooks

GRI 621 COAT HOOK

Material: Stainless Steel, Rubber Bumper

Finish: Satin Stainless Steel

Screw Fix



GRI 841 COAT HOOK

Material: Diecast Zinc, Rubber Bumper

Finish: Satin Chrome

Screw Fix

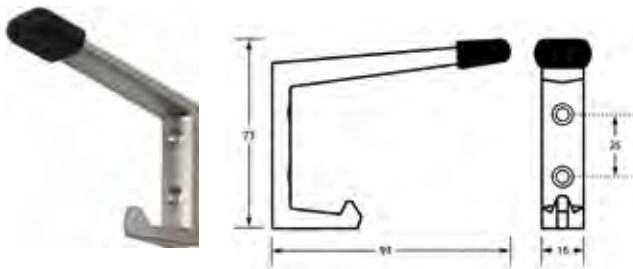


GRI 842 COAT HOOK

Material: Diecast Zinc, Rubber Bumper

Finish: Satin Chrome, alternate Bright Chrome

Screw Fix

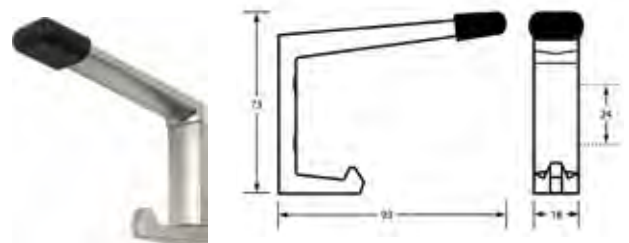


GRI 842-C CONCEALED FIX COAT HOOK

Material: Diecast Zinc, Rubber Bumper, ABS Snap On Cover

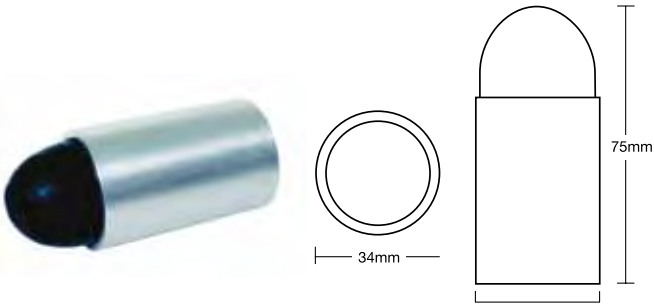
Finish: Satin Chrome, alternate Bright Chrome Finish or Brushed nickel - S.S look

Concealed Screw Fix



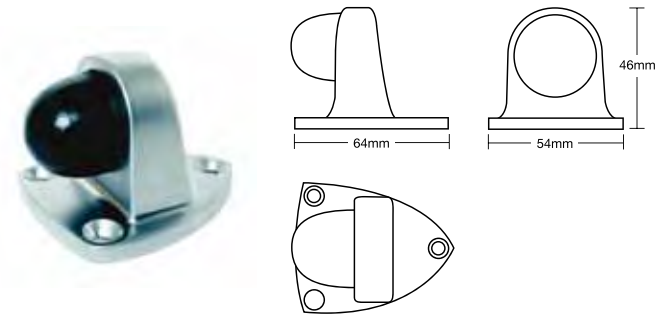
GRI 770 SKIRTING MOUNTED

Finish: Clear anodised



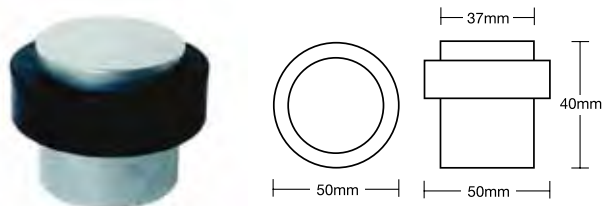
GRI 771 FLOOR MOUNTED

Finish options: Satin Chrome Plate (GRI 771) or Bright Chrome Plate (GRI 771-B)



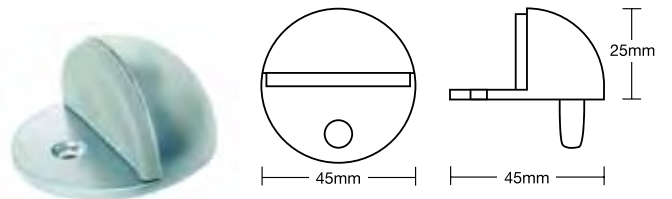
GRI 772 FLOOR MOUNTED

Finish options: Satin Chrome Plate (GRI 772) or Bright Chrome Plate (GRI 772-B)



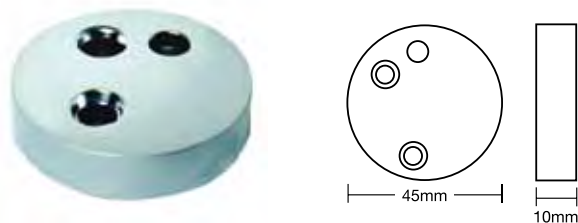
GRI 773 FLOOR MOUNTED

Finish options: Satin Chrome Plate (GRI 773) or Bright Chrome Plate (GRI 773-B)



GRI 774 HALF MOON SPACER

Used with GRI 773. **Finish options:** Satin Chrome Plate (GRI 772) or Bright Chrome Plate (GRI 772-B)

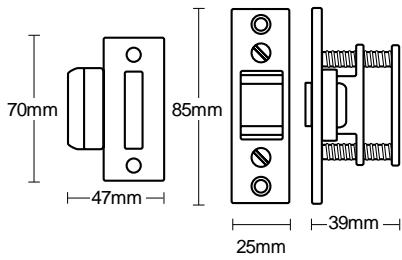


Bolts

GRI 766 ROLLER BOLTS

Stainless steel roller (Adjustable Strength)

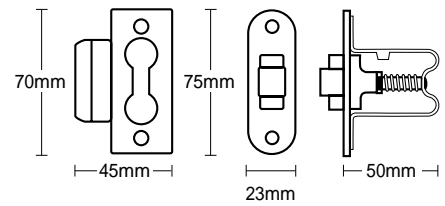
Finish: Stainless steel



GRI 739 ROLLER BOLTS

Nylon Roller (Adjustable Strength)

Finish: Satin Chrome Plate



GRI 854 HEAVY DUTY ALUMINIUM LEG

Off Floor System
40mm Adjustment

Material: Aluminium,
Nylon Base

Finish: Natural Anodised

Sizes: 165 (165mm min
- 205mm max height)
200 (185mm min
- 225mm max height)



GRI 855 REBATED SHAFT FOOT ASSEMBLY

Off Floor System
50mm Adjustment

Material: Stainless Steel

Finish: Satin Stainless Steel

Sizes: 150mm (125mm min
- 175mm max height)
200mm (175mm min
- 225mm max height)
250mm (225mm min
- 275mm max height)
300mm (275mm min
- 325mm max height)



GRI 856 DOUBLE FIX FOOT ASSEMBLY

Off Floor System
50mm Adjustment

Material: Stainless Steel

Finish: Satin Stainless Steel

Sizes: 150mm (125mm min - 175mm max height)
200mm (175mm min - 225mm max height)
250mm (225mm min - 275mm max height)
300mm (275mm min - 325mm max height)



GRI 857 SINGLE FIX FOOT ASSEMBLY

Off Floor System
50mm Adjustment

Material: Stainless Steel

Finish: Satin Stainless Steel

Sizes: 150mm (125mm min -
175mm max height)
200mm (175mm min
- 225mm max height)
250mm (225mm min
- 275mm max height)
300mm (275mm min
- 325mm max height)



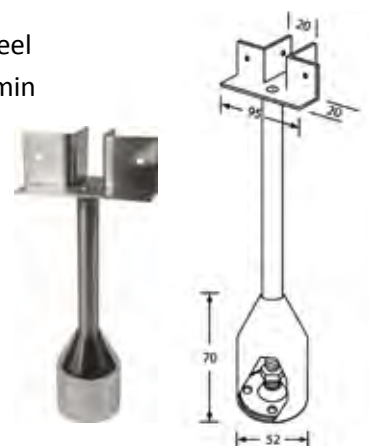
GRI 858 T PIECE FOOT ASSEMBLY

Off Floor System
50mm Adjustment

Material: Stainless Steel

Finish: Satin Stainless Steel

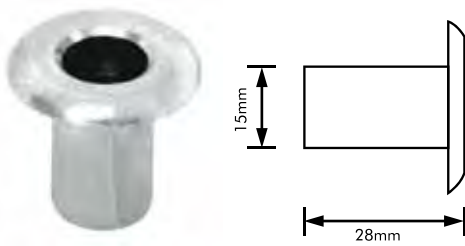
Sizes: 150mm (125mm min
- 175mm max height)
200mm (175mm min
- 225mm max height)
250mm (225mm min
- 275mm max height)
300mm (275mm min
- 325mm max height)



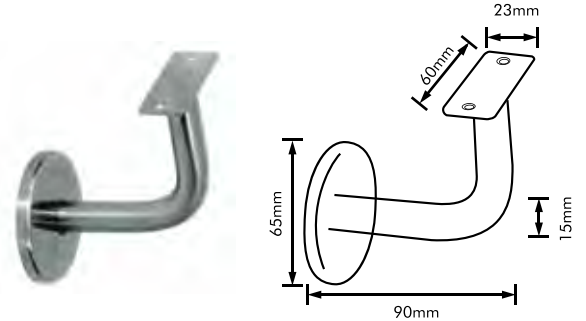
Miscellaneous

GRI 822 ALUMINIUM SHOOT

Suit flush bolts

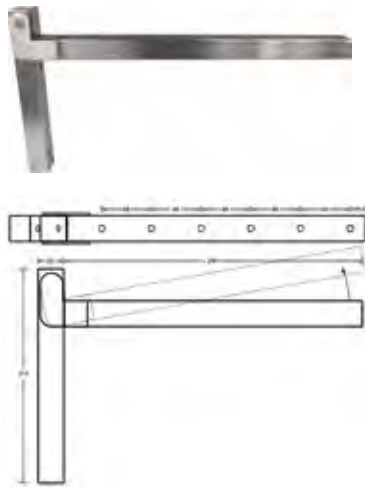


GRI 768 STAINLESS STEEL HANDRAIL BRACKET



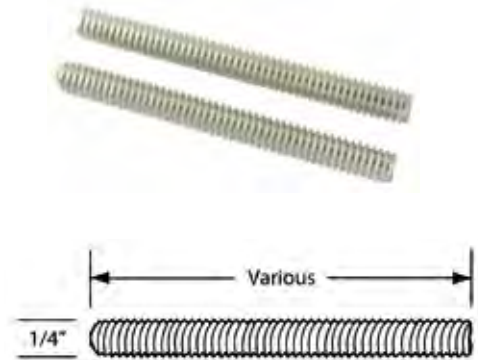
GRI 853/GRI 853-A LIFT-UP SEAT BRACKET

Material: Stainless Steel
Finish: Satin Stainless Steel



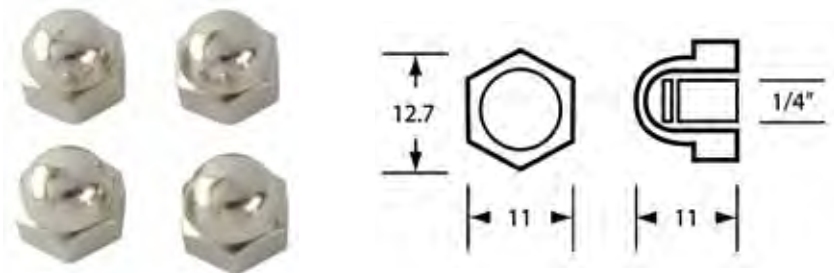
GRI 859 THREADED ROD

Material: Steel
Finish: Zinc
1/4" Imperial Thread
Specify thickness of material when ordering



GRI 860 ACORN NUTS

Material: Brass
Finish: Bright Nickel
1/4" Imperial Thread

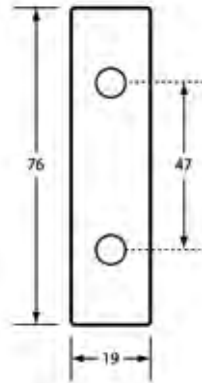


GRI 861 FACE PLATES

Bolt Through - set of four

Material: Stainless Steel

Finish: Satin Stainless Steel

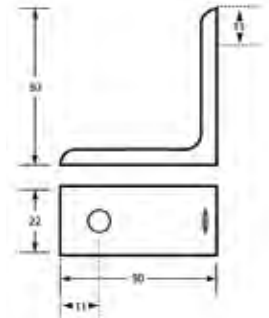


GRI 862 ANGLE BRACKET

Bolt Through - 6mm or 9mm dia holes

Material: Brass

Finish: Satin Chrome,
alternate finish: Bright Chrome



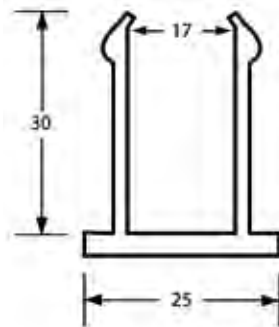
GRI 868 INSERT CHANNEL

Interlocks with GRI 869 Channel

Supplied in 200mm lengths

Material: Aluminium

Finish: Anodised Aluminium



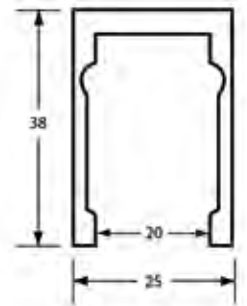
GRI 869 TOP CHANNEL

Interlocks with GRI 868 insert channel

Material: Aluminium

Finish: Anodised Aluminium

Nominate either 1800, 2100 or
3000mm length when ordering.



CONCEALED FIX FACE PLATES

To Suit:

GRI 867-C, GRI 845-C and GRI 843-C

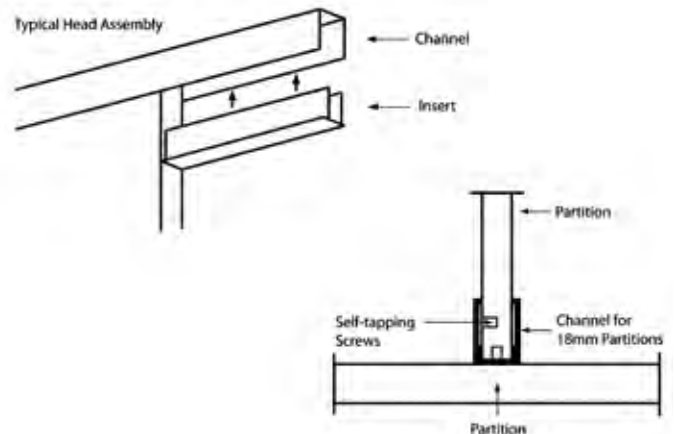
Bolt Through (M5 Stainless Steel thread)

Set of 2 (For GRI 867-C & GRI 845-C only)

Material: Diecast Zinc

Finish: Satin Chrome

Specify Thickness of material when ordering



Our complete range of products:



Contact us for a copy of these brochures



PO Box 557, 50 Robinson Street, Goulburn NSW 2580 • PO Box 5107, 9A Pembury Road, Minto DC NSW 2566
Phone 1300 138 625 • Fax (02)4824 1020 • Email sales@griproducts.com.au